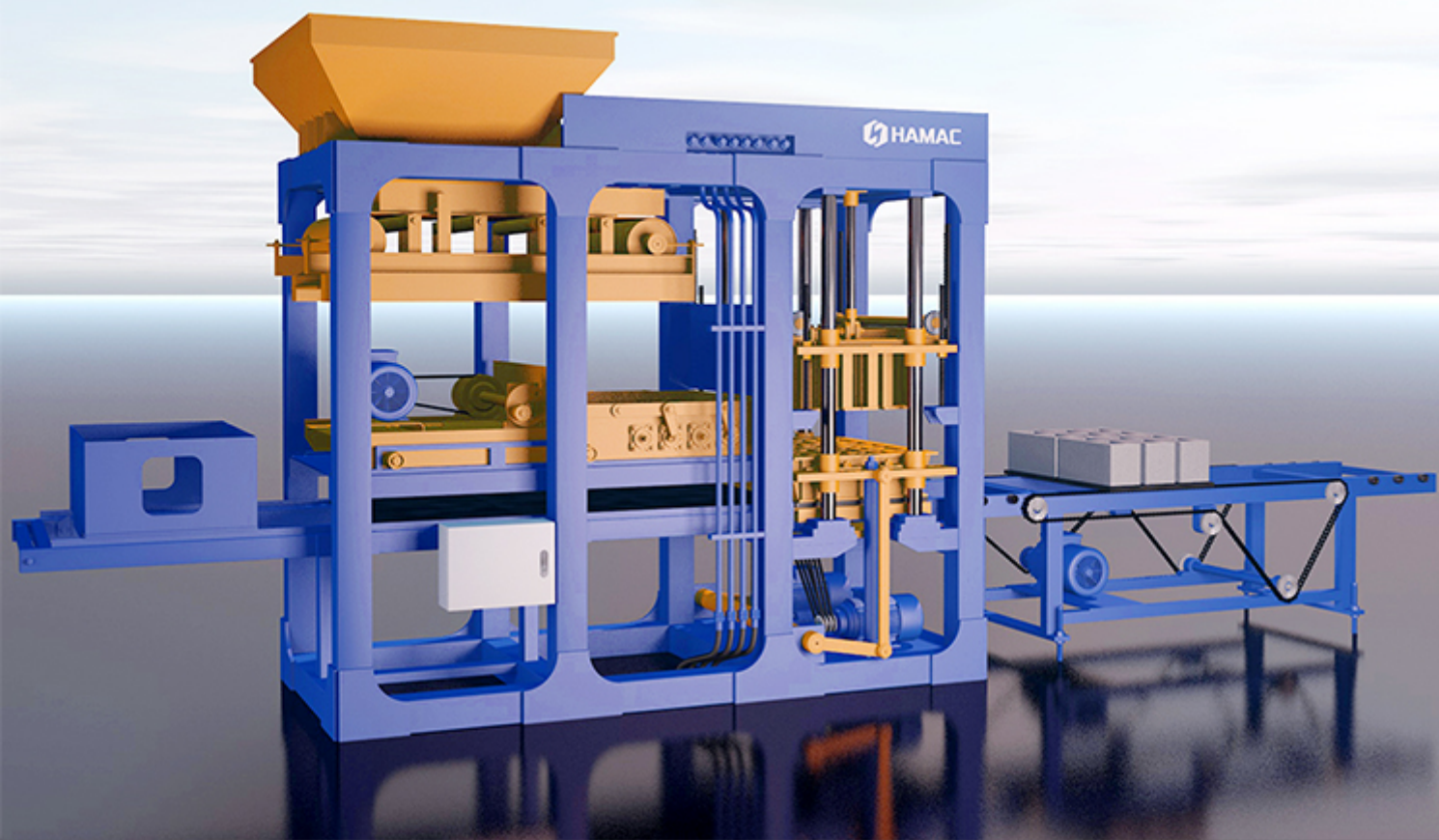




CONCRETE BLOCK PRODUCTION LINE





A VARIETY OF MODELS MEET DIFFERENT NEEDS



Fully automatic controlled by software



Semi-automatic controlled by control Panel



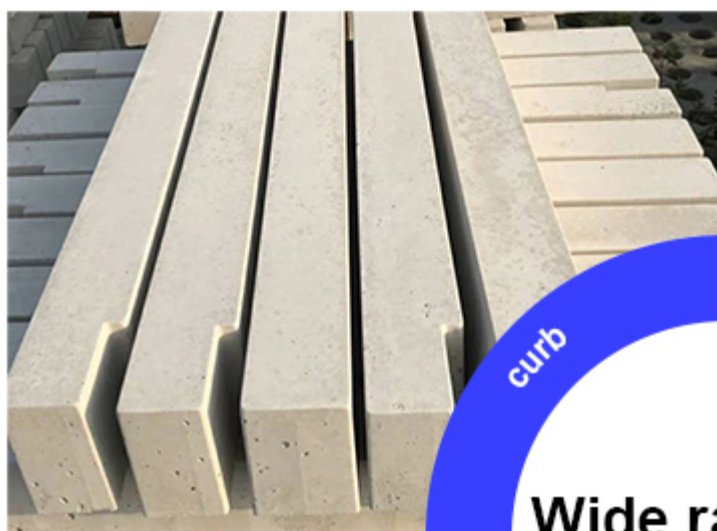
Egg-laying block machine without pallet

A REAL SHOT OF THE WORKING SITES



Stable work performance
Reliable hydraulic system
Various models as options

**The most
popular model**



**Wide range of
applications**

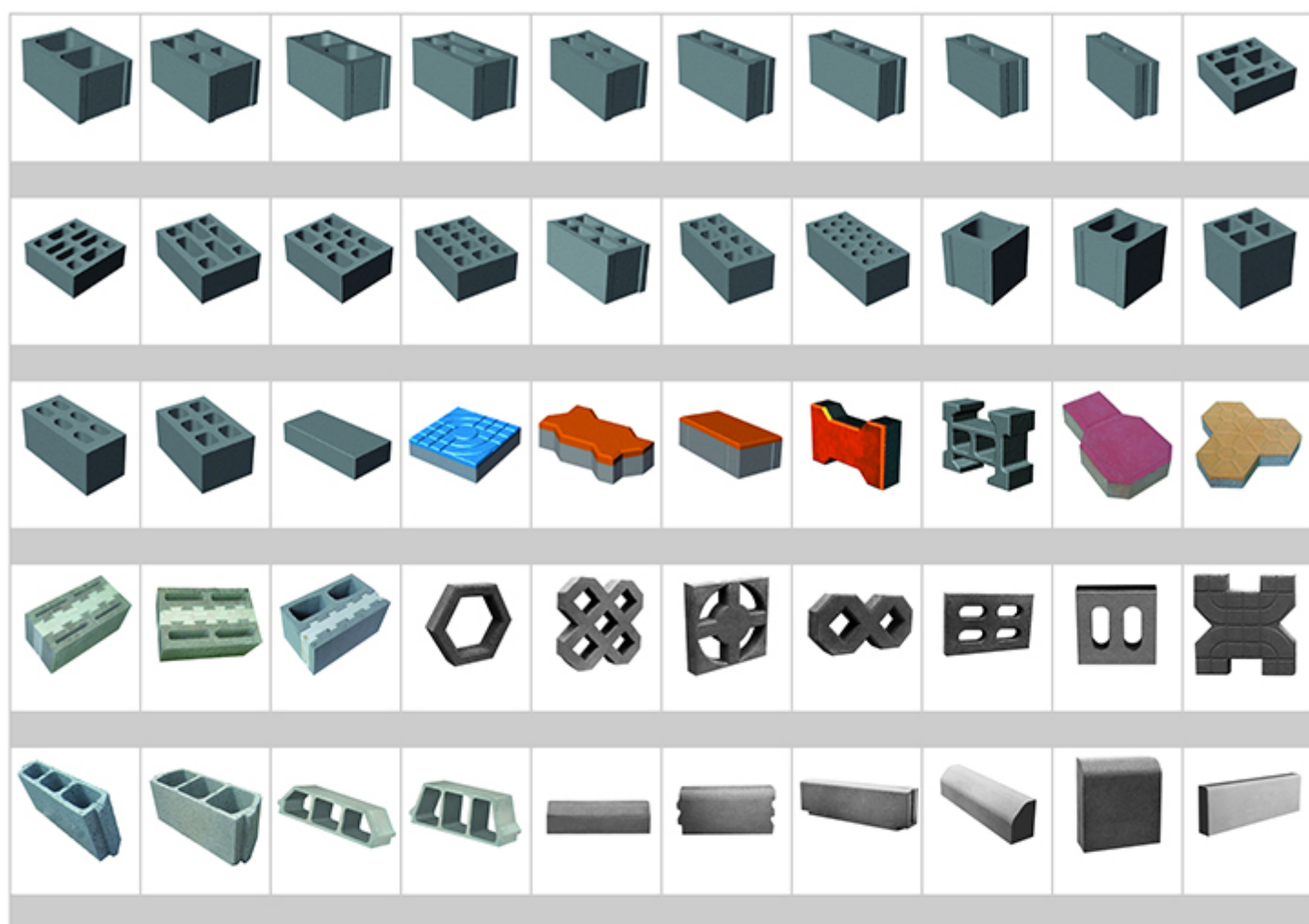
curb

paver

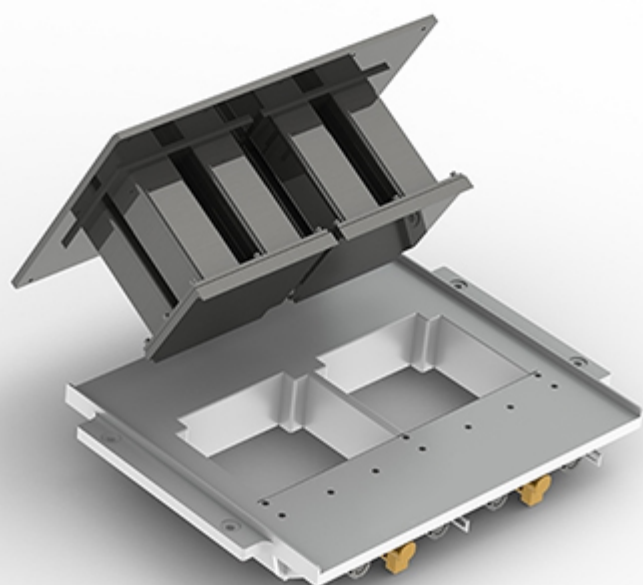
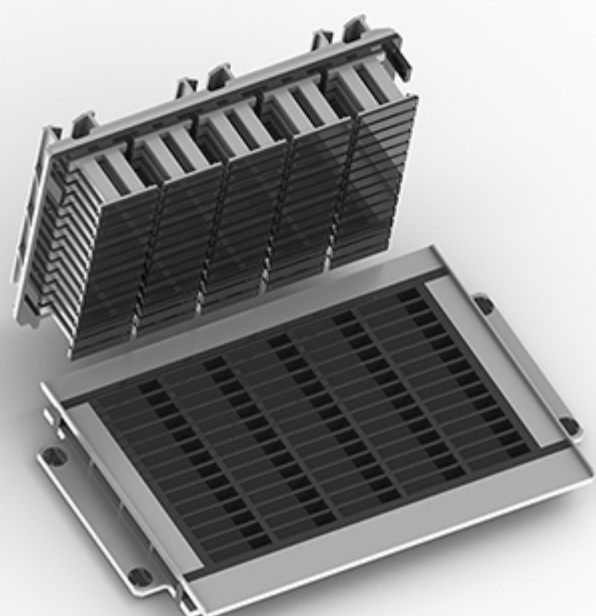
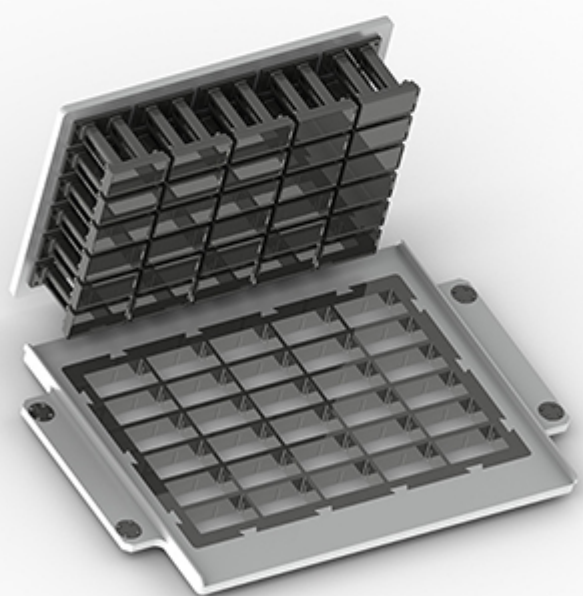
brick

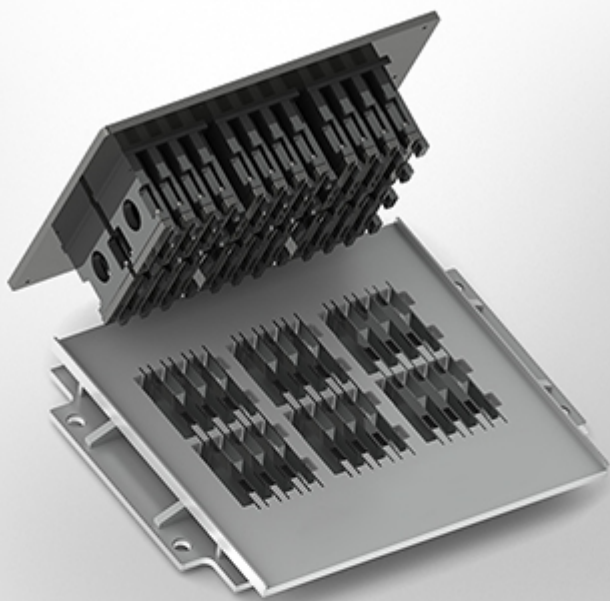
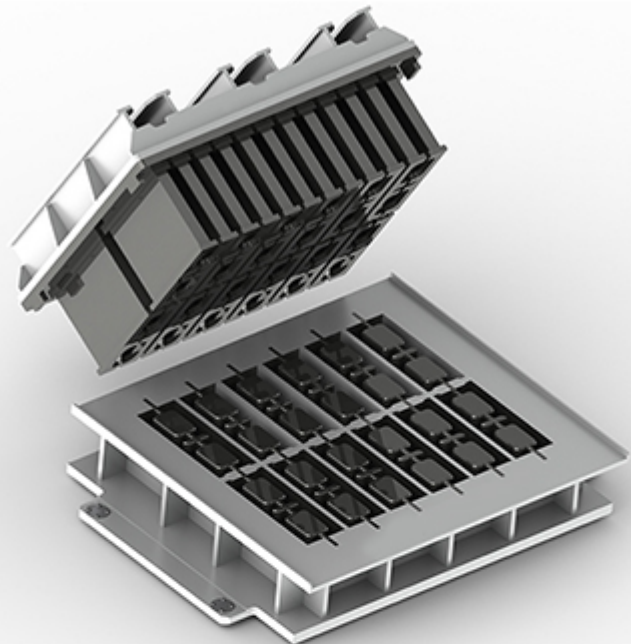
block

COMMONLY USED CEMENT BRICK



CUSTOMIZED VARIOUS MOLDS





**Why choose
HAMAC**

**Powerful Manufacturer For
More Than 20 Years**



**FACTORY DIRECT SALES
QUALITY ASSURANCE**

